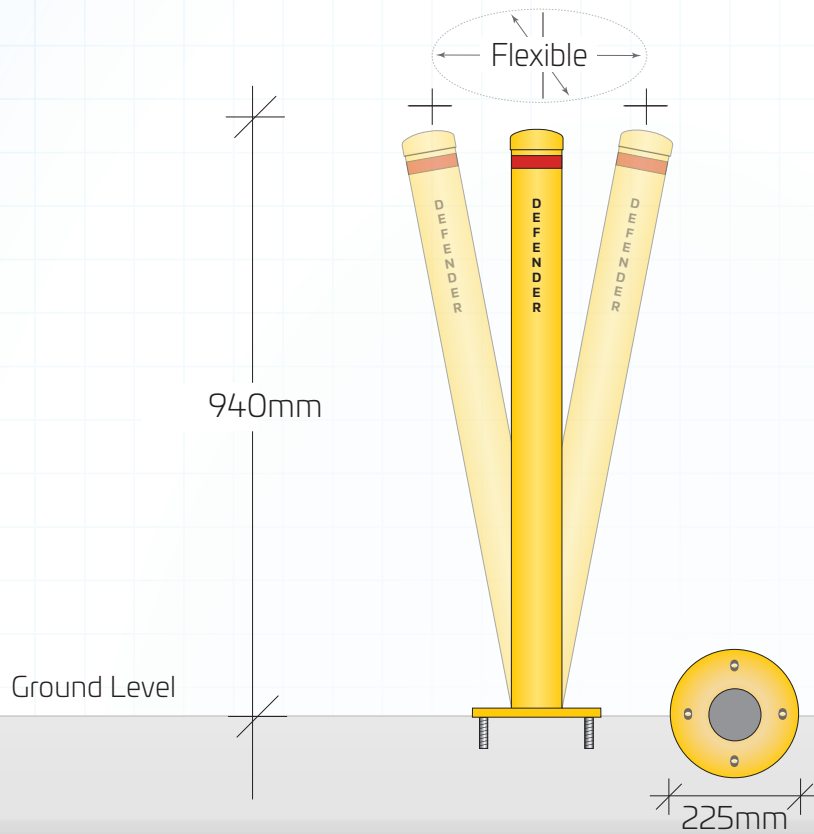


DEFENDER BOLLARD

DB90/FSB



90mmØ Flexible Steel Bollards

Code	Product Height	Diameter	Wall Th.	Flex. Length	Baseplate
DB90/FSB	940mm	90mm	4mm	To Ground	225 x 6mm

- Designed to minimise cost of replacements
- Flexible down to the ground
- Highly visible, safety yellow powdercoat finish as standard
- Will absorb repeated collisions of slow vehicles
- Custom sizes/colours made to order

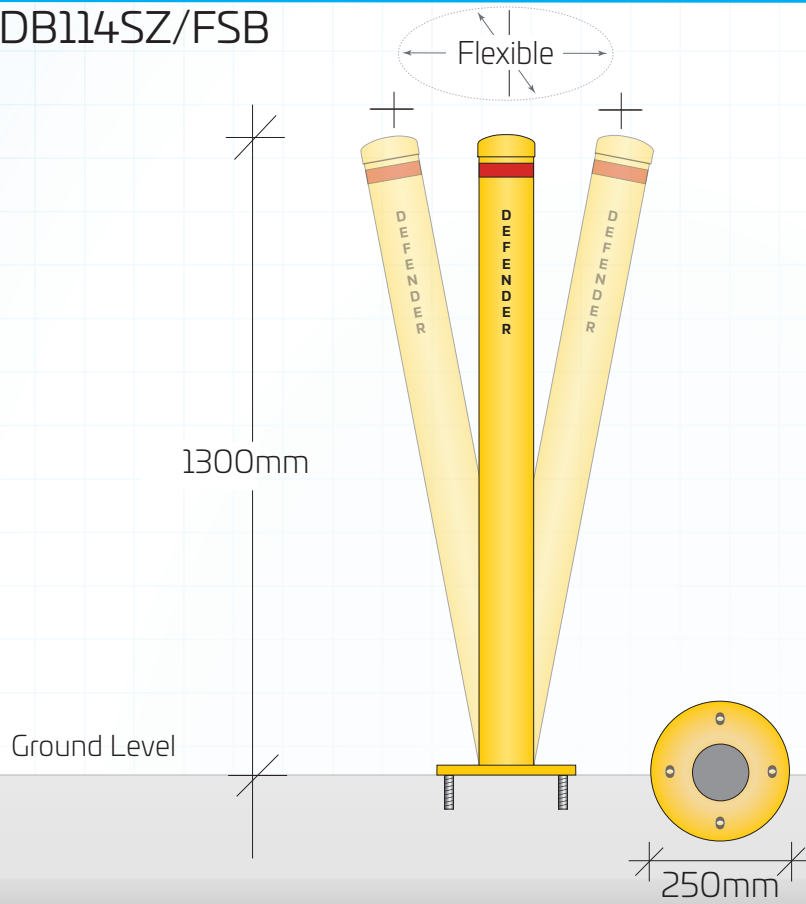
1300 76 44 77

www.pws.com.au email: sales@pws.com.au

• Installation service available in Sydney, Melbourne, Brisbane and Perth

DEFENDER BOLLARD

DB114SZ/FSB



114mmØ Shared Zone Flexible Steel Bollard

Code	Product Height	Diameter	Wall Th.	Flex. Length	Baseplate
DB114SZ/FSB	1300mm	114mm	4mm	To Ground	250 x 6mm

- Designed to minimise cost of replacements
- Manufactured taller than our regular bollards for shared zones
- Flexible down to the ground
- Highly visible, safety yellow powdercoat finish as standard
- Will absorb repeated collisions of slow vehicles
- Custom sizes/colours made to order

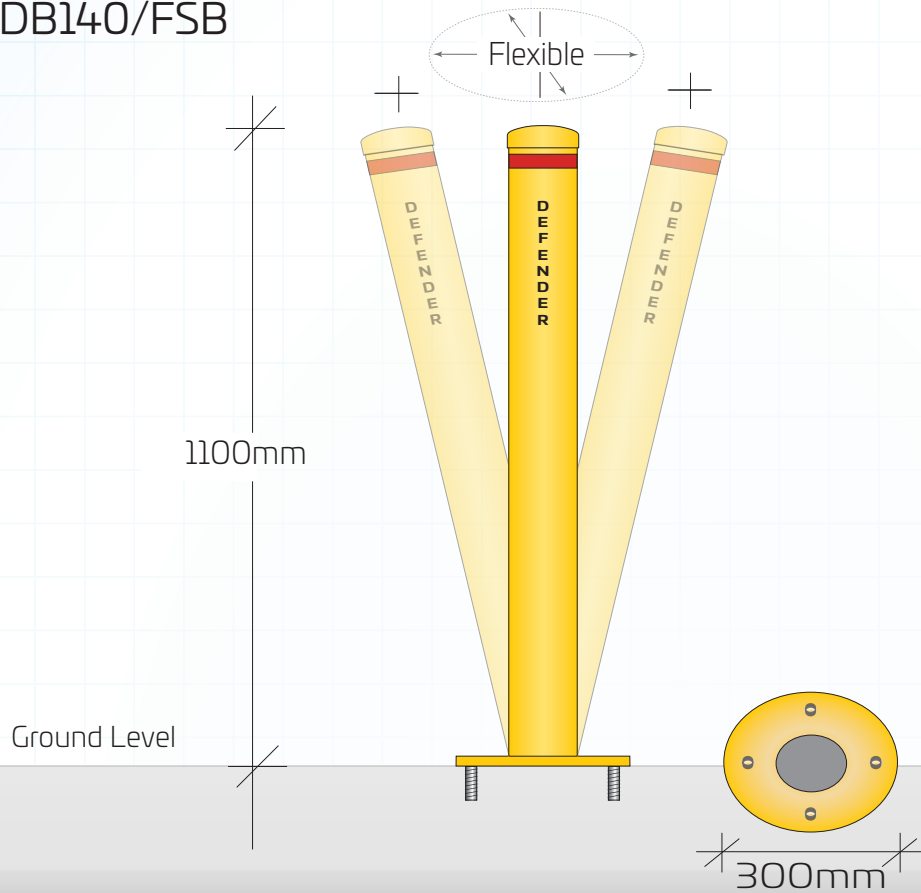
1300 76 44 77

www.pws.com.au email: sales@pws.com.au

• Installation service available in Sydney, Melbourne, Brisbane and Perth

DEFENDER BOLLARD

DB140/FSB



140mmØ Flexible Steel Bollard

Code	Product Height	Diameter	Wall Th.	Flex. Length	Baseplate
DB140/FSB	1100mm	140mm	5mm	To Ground	300 x 10mm

- Designed to minimise cost of replacements
- Flexible down to the ground
- Highly visible, safety yellow powdercoat finish as standard
- Will absorb repeated collisions of slow vehicles
- Custom sizes/colours made to order

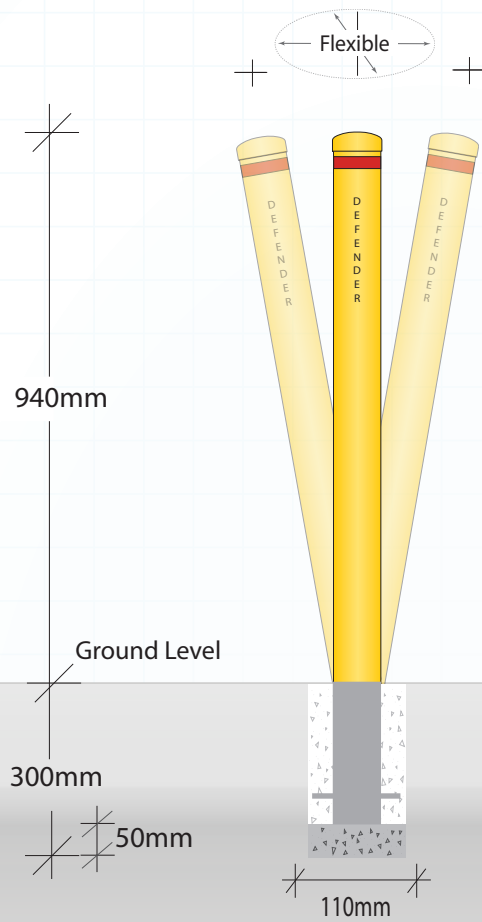
1300 76 44 77

www.pws.com.au email: sales@pws.com.au

• Installation service available in Sydney, Melbourne, Brisbane and Perth

DEFENDER BOLLARD

DB90/FSI



90mmØ Flexible Steel In-Ground Bollard

Code	Installed Height	Diameter	Wall Th.	Flex. Length	In Ground Depth
DB90/FSI	940mm	90mm	4mm	To Ground	300mm

- Designed to minimise cost of replacements
- Flexible down to the ground
- Highly visible, safety yellow powdercoat finish as standard
- Will absorb repeated collisions of slow vehicles
- Custom sizes/colours made to order
- Recommended core cutting size 110mm minimum

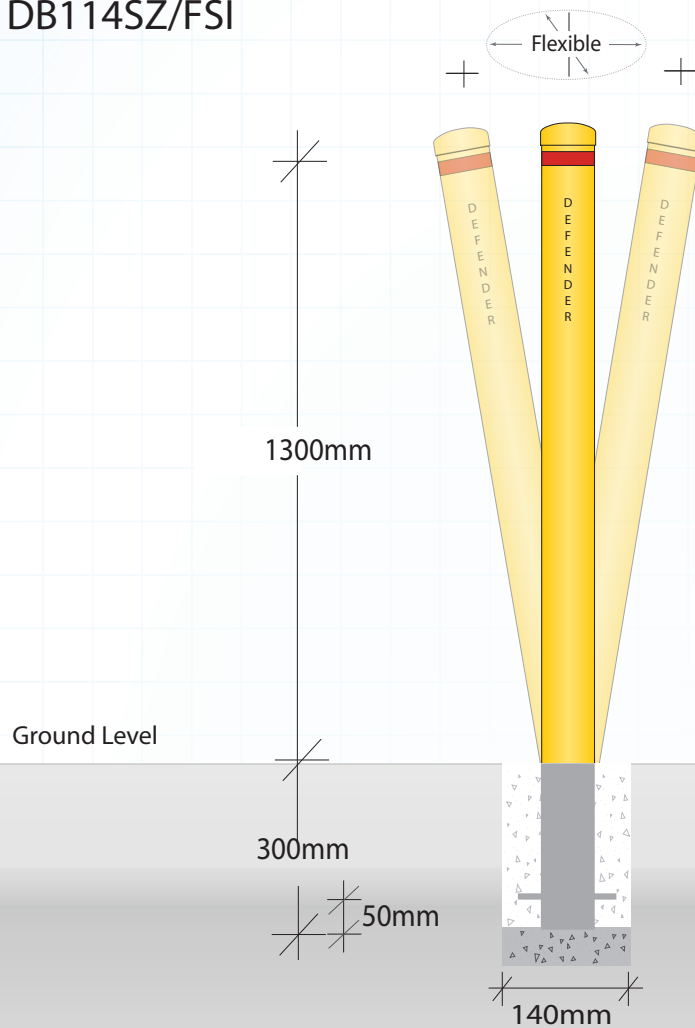
1300 76 44 77

www.pws.com.au email: sales@pws.com.au

• Installation service available in Sydney, Melbourne, Brisbane and Perth

DEFENDER BOLLARD

DB114SZ/FSI



114mmØ Flexible Shared Zone In-Ground Bollard

Code	Installed Height	Diameter	Wall Th.	Flex. Length	In Ground Depth
DB114/FSI	1300mm	114mm	4mm	To Ground	300mm

- Designed to minimise cost of replacements
- Manufactured taller than our regular bollards for shared zones
- Flexible down to the ground
- Highly visible, safety yellow powdercoat finish as standard
- Will absorb repeated collisions of slow vehicles
- Custom sizes/colours made to order
- Recommended core cutting size 140mm minimum

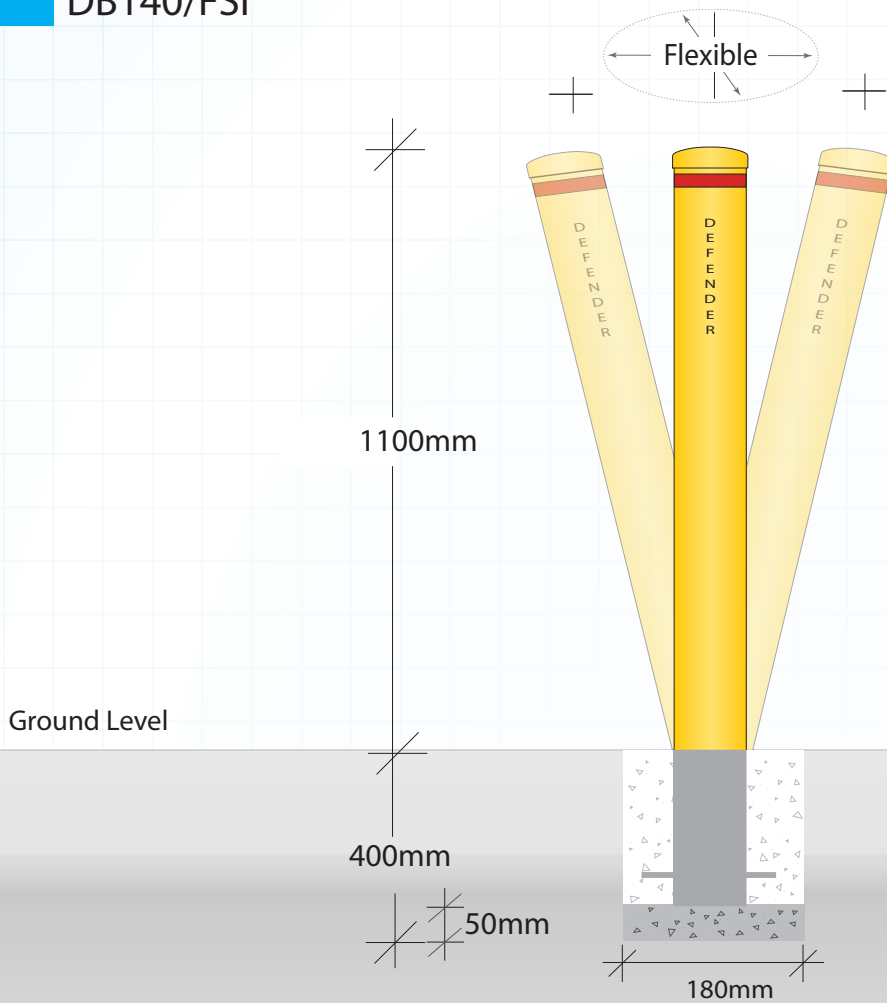
1300 76 44 77

www.pws.com.au email: sales@pws.com.au

• Installation service available in Sydney, Melbourne, Brisbane and Perth

DEFENDER BOLLARD

DB140/FSI



140mmØ Flexible Steel In-Ground Bollard

Code	Installed Height	Diameter	Wall Th.	Flex. Length	In Ground Depth
DB140/FSI	1100mm	140mm	5mm	To Ground	400mm

- Designed to minimise cost of replacements
- Flexible down to the ground
- Highly visible, safety yellow powdercoat finish as standard
- Will absorb repeated collisions of slow vehicles
- Custom sizes/colours made to order
- Recommended core cutting size 180mm minimum

1300 76 44 77

www.pws.com.au email: sales@pws.com.au

• Installation service available in Sydney, Melbourne, Brisbane and Perth